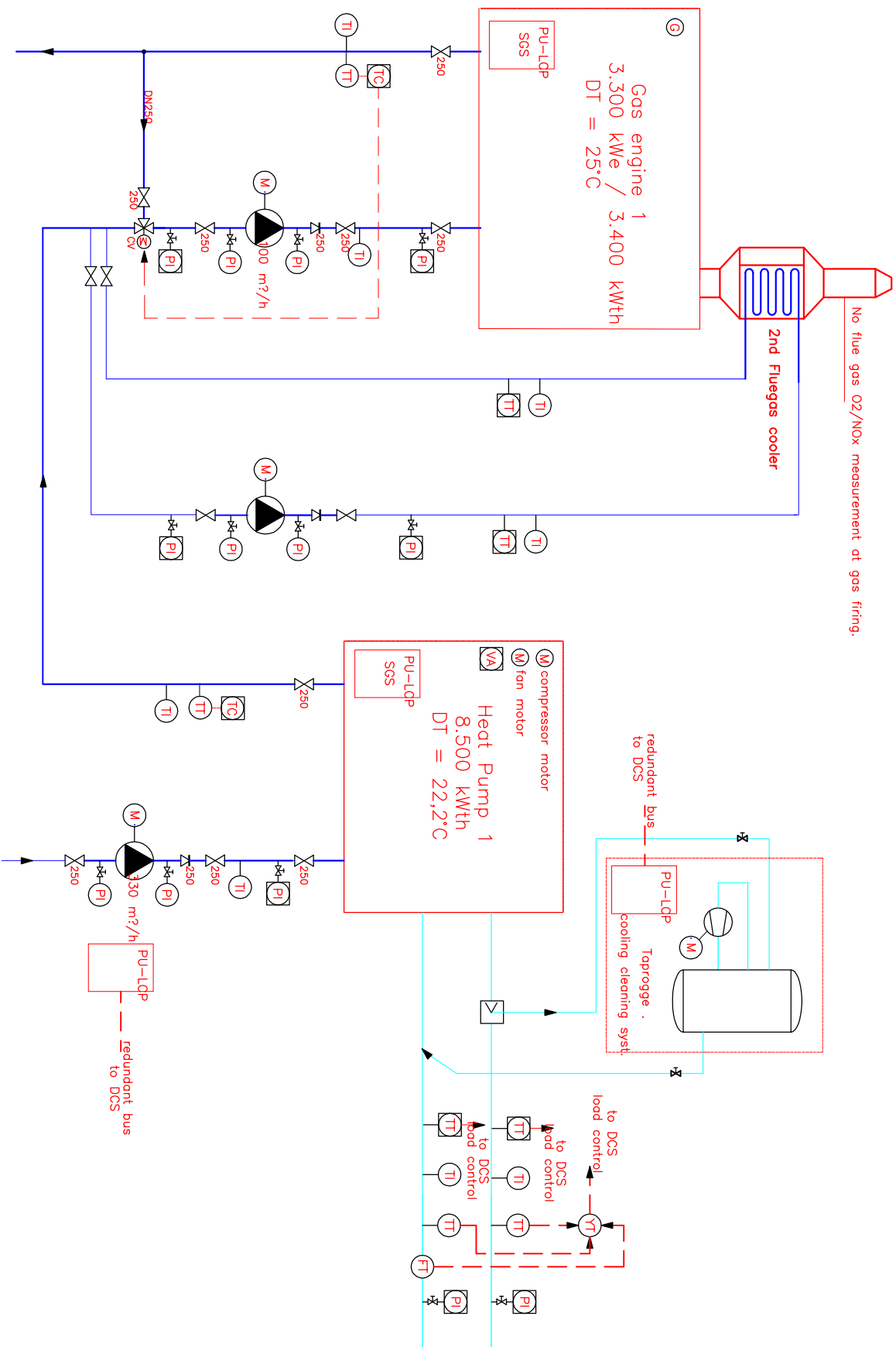


No flue gas O<sub>2</sub>/NO<sub>x</sub> measurement at gas firing.



REV.	DESCRIPTION OF REVISION	BY	DATE	APPR.	DATE
0	First issue	MAH	01-11-2008	-	-
1					

DESTINATION:  
 TITLE: P&ID HEATSTATION

Sample P&ID

CLIENT:	
DOC NO.:	-
SHEET:	
REV.:	